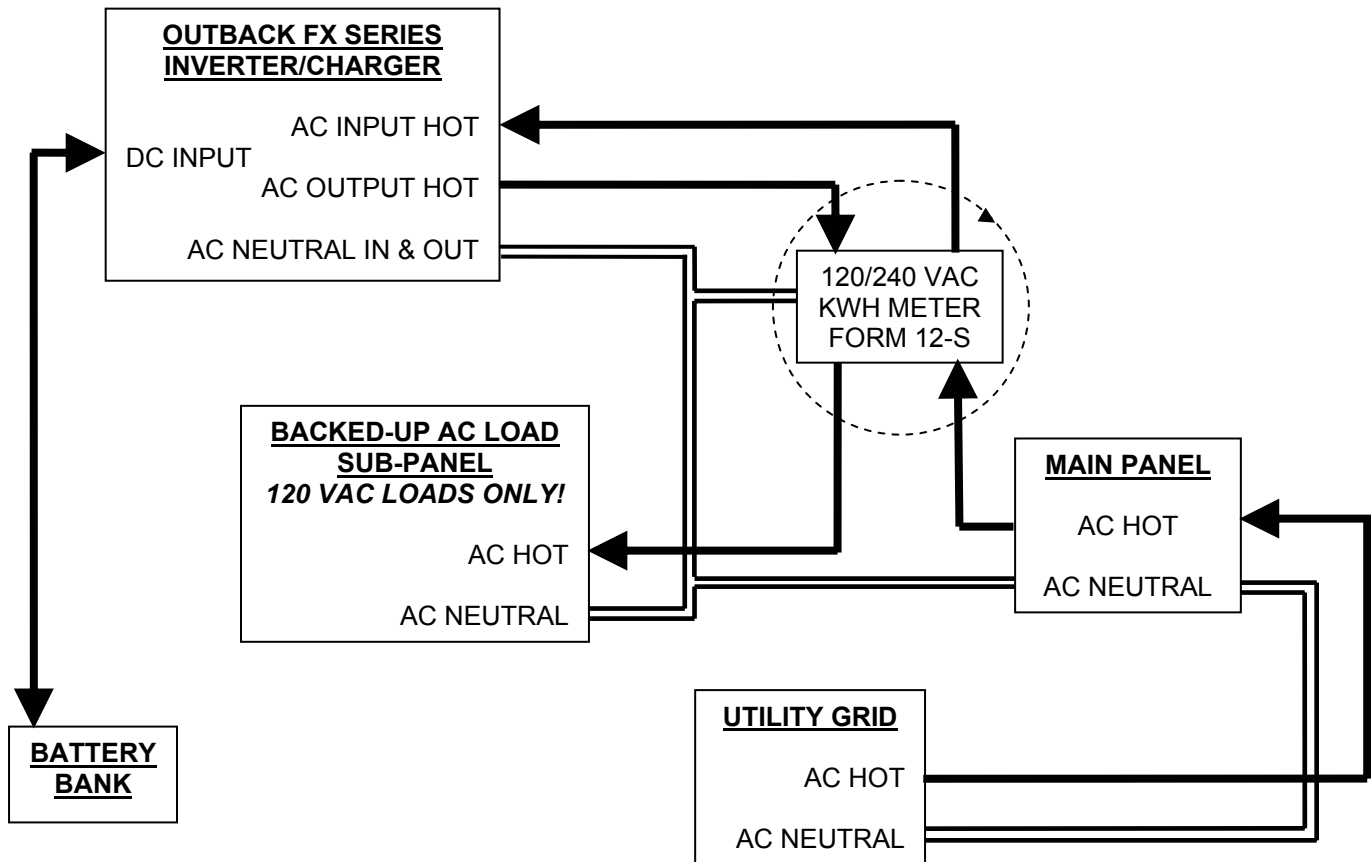


120 VAC / SINGLE INVERTER “GREEN TAG” KWH METERING



This metering configuration will spin the KWH meter forward when power is being “sold” back to the utility grid from an AE source connected to the battery. The meter will also spin forward when the inverter is powering loads from the battery (such as during a power outage). It will spin backwards when the battery is being charged (i.e. subtracting the power being stored). AC loads which are being powered from the utility grid through the inverter will not cause the meter to spin in either direction.

Recommended KWH Meter Model: Self-Contained Polyphase KWH meter
Model # R-12S-1513
120 VAC 60 AMP “5 Jaw” Type
(also available in 100 amp and 200 amp versions)

Available Remanufactured From: **Hialeah Meter Company**
450 West 28th Street / P.O. Box 1047
Hialeah, FL 33011
Toll Free - 800.654.0821
Phone - 305.887.8931
Fax - 305.887.6542
www.hialeahmeter.com

Austin International, Inc.
7 Ross Cannon Street
York, SC 29745
Phone - 803.628.0035
Fax - 803.628.0282
www.electricalconnector.com