

## Assembly Instructions for PSR-FO Power System Rack-Frame Only

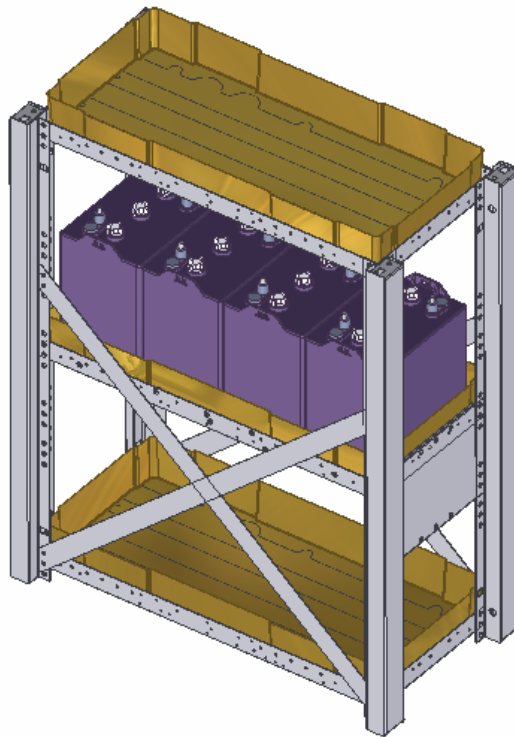
This kit includes:

- 4 legs (PN 300-0002-06C)
- 6 shelf frames (PN 300-0001-01H)
- 3 shelf center supports (PN 300-0034-01B)
- 2 side web braces (PN 300-0017-02)
- 4 diagonal braces (PN 300-0044-02)
- 48 #12 X ½" flat head Philips type B sheet metal screw (PN 600-0001-01)
- 28 6mm x 10mm flat head Philips machine screw (PN 602-0001-01)
- 28 6mm lock washer (PN 603-0001-01)
- 28 6mm hex nut (PN 604-0001-01)

There are two things to note prior to the assembly of the PSR.

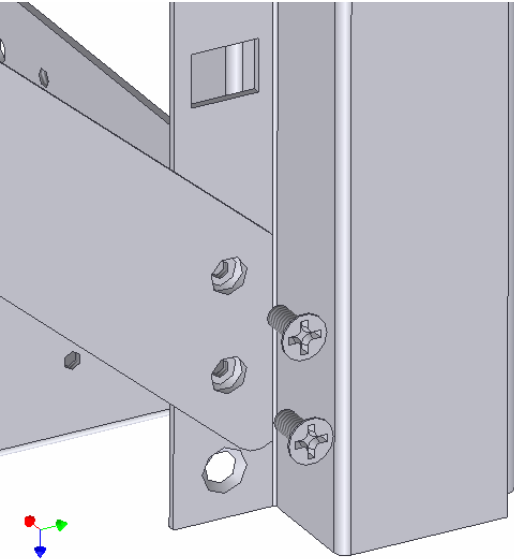
1. The legs are universal. There is no right or left version. If you appear to have 4 left legs, then turn two of them over to make them right legs.
2. The shelf frame has a short end and a long end. When installed, the long end must always rest on top of the short end. Not only does this increase strength, but the holes will actually line up too.

This is the PSR-FO configuration shown with optional spill trays and 4 golf cart batteries.

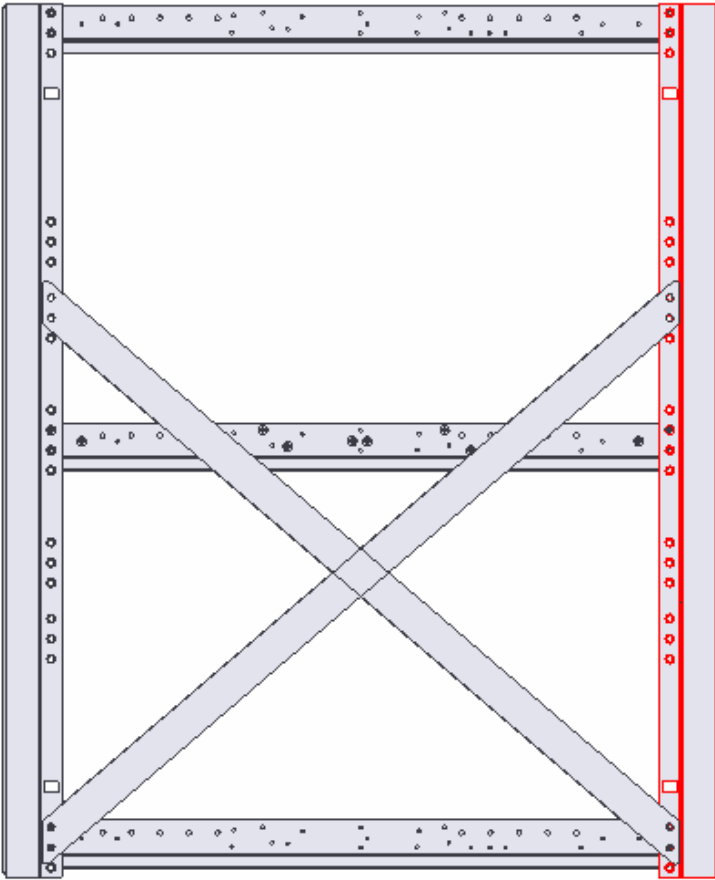


Step 1: assemble 4 legs, the bottom shelf trays and 4 diagonals using the #12 x ½" flat head type B sheet metal screws. Leave the bottom holes of the legs empty. This will allow a sheet of Styrofoam

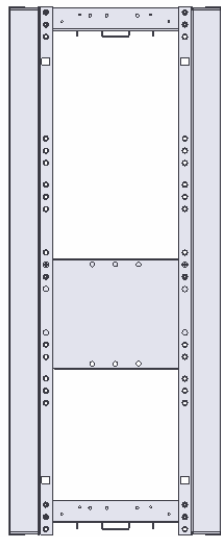
to be inserted underneath for insulation. This shelf location is also required when adding the seismic 4 hold down kit.



Step 2: Add the other two shelves (middle and top) using the same screws.

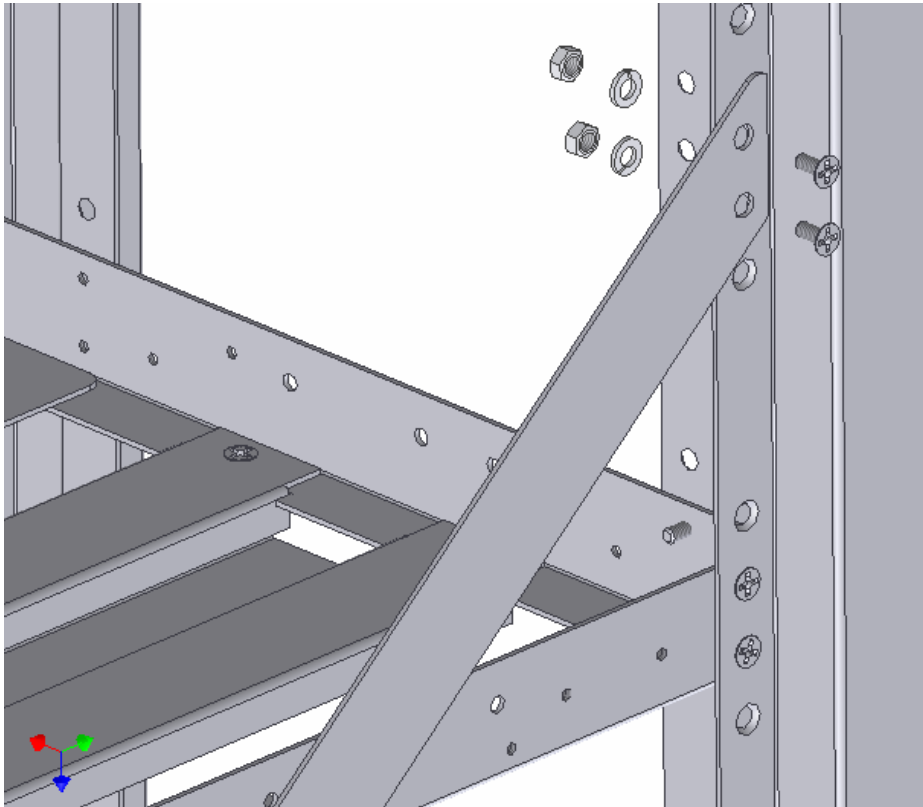


These views are to aid in placement of shelves and side web braces. The side web braces are installed using 4 sheet metal and 4 machine screws. The four sheet metal screws go through the web and through the legs and into the shelf frame. The other four will be machine screws, lock washers and nuts. Please note that there is a top and bottom to the side web braces and they will only fit one way.



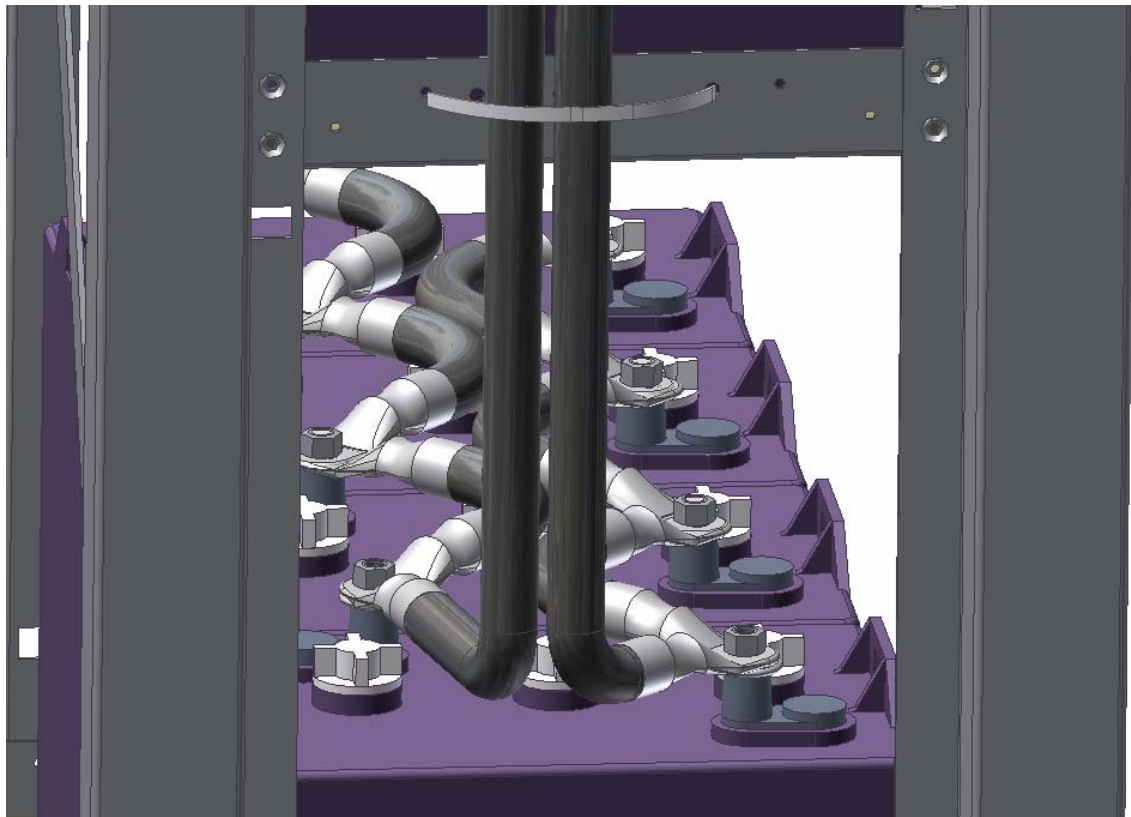
End View

Step 3: Bolt down the top end of the 4 diagonal braces using the machine screws, lock washers and nuts.



Step 4: Install the 3 shelf center supports as shown above using the same machine screws, lock washers and nuts. Go back and tighten up all screws. This completes the assembly of the Frame Only Rack.

The following view shows how to secure cables to the frame or web braces. Keep positive and negative cables together as shown. This reduces inductance. Battery cable inductance is not desirable.



The following view shows the seismic mounting foot. (One per side) They can be installed so that they face in or out. Twelve tie down straps are included with each Seismic 4 kit. Our seismic analysis does not include batteries on the top shelf; however it is always a good idea to secure batteries that could possibly fall over and cause harm.

The optional spill tray is custom molded out of polyethylene. This tray is designed to contain a spill from an L16 cell when the tray has 4 L16 batteries in it. An L16 cell holds three quarts of sulfuric acid. This option is highly recommended!

