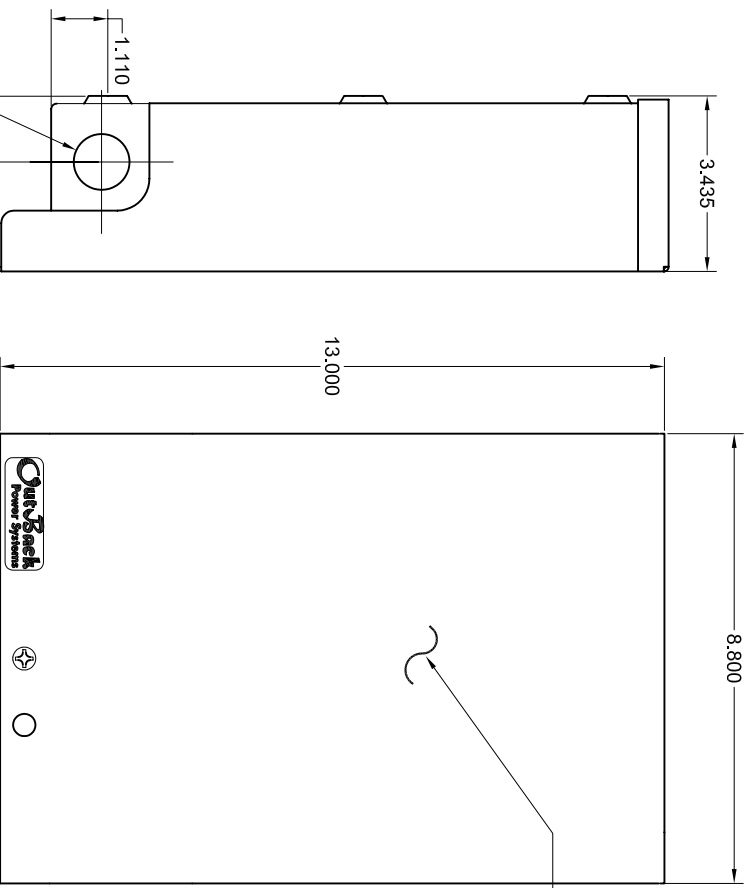


Revision

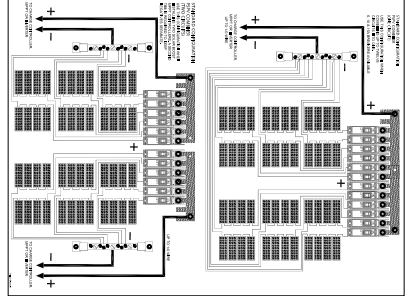
Description

Date

Approved



#375-0015-1  
INSTALL ON  
INSIDE COVER



Photovoltaic Combiner / Disconnect  
**POWER CONDITIONING UNITS FOR PHOTOVOLTAIC POWER SYSTEMS**  
 3000806 UL STANDARD 1741-2000

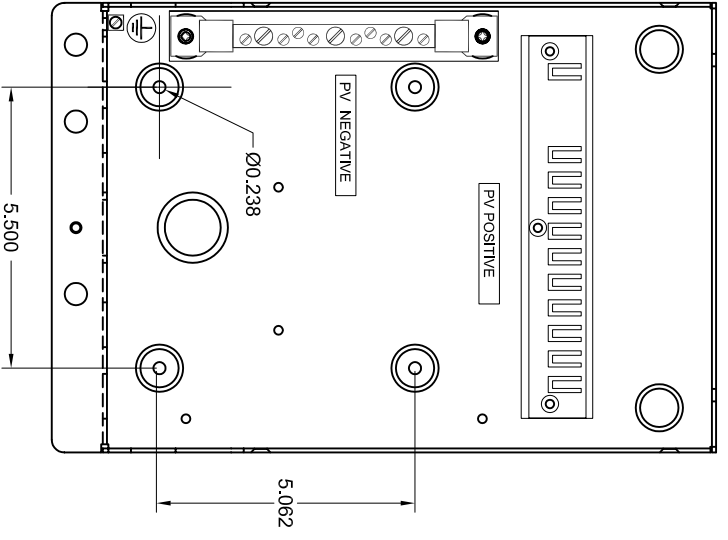
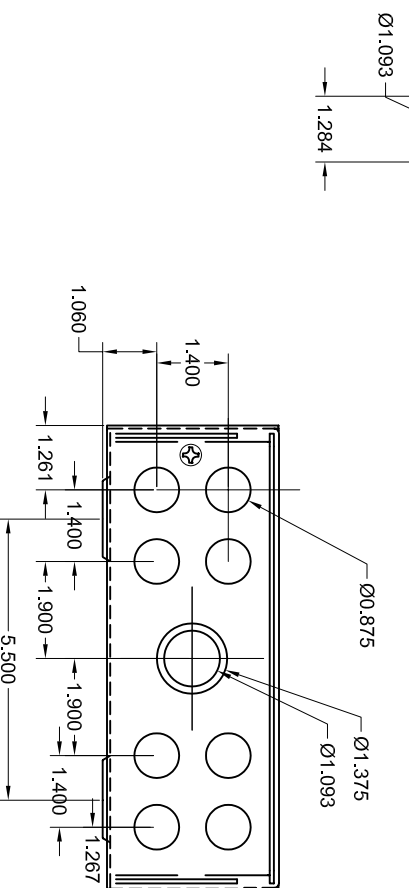
Model PSPV  Model PSSB

MAXIMUM VOLTAGE: 600VDC AND 250VAC up to 15 circuits AT 60 AMPERES EACH MAX. SINGLE OR THREE PHASE 60-60 HZ.

**⚠ DANGER HAZARD OF ELECTRICAL SHOCK. TURN OFF PV ARRAY DISCONNECT (SA) AT MAIN CONTROL PANEL. SOLAR PANELS WILL CONTINUE TO PRODUCE VOLTAGE AND CURRENT TO PRODUCE HAZARDOUS VOLTAGE AND CURRENT IF COVERED OR WORK AT THIS POINT. HAZARDS ARE COVERED BY THE WARRANTY.**

THIS ENCLOSURE MEETS REQUIREMENTS FOR WEATHER RESISTANT ENCLOSURES (NEMA 3R) WITH MOUNTED VENTILATION OR LEAKING BACK TO IT DEPENDS (3/12 FROM).

Outback Power Systems  
 Arlington, WA 98223  
 USA  
 Made in USA



**Outback Power Systems**  
 19009 62nd Ave. N.E.  
 Arlington, Wa. 98223 U.S.A.  
 Phone 360-435-6030

Tolerances  
 XX = ±.02  
 XXX = ±.010  
 Angles ±2°  
 Unless otherwise noted  
 Break all sharp corners

File Name: Robin Gudel  
 File Name: 1-26-02

Title: PSPV COMBINER ASSEMBLY  
 File Name: PSPV.DWG  
 Sht 1 of 1  
 REV A

Information on this drawing is proprietary to Outback Power Systems Inc.