

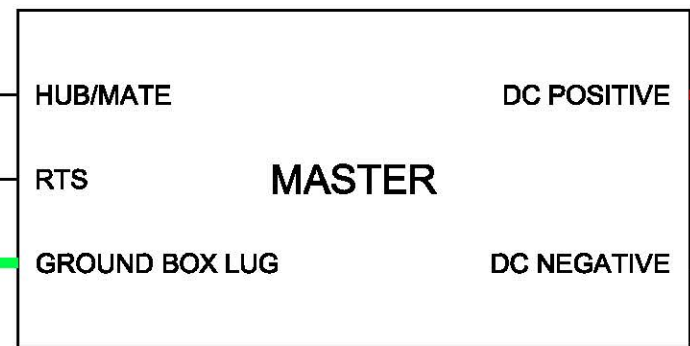
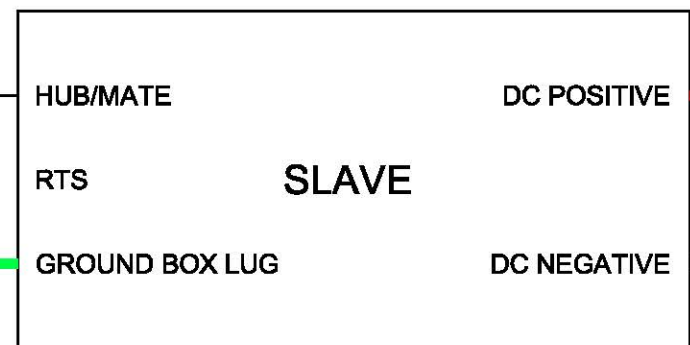
CAT 5  
COMM  
CABLE

Grounding wire must be removed from DC Negative Bus Bar on shunt  
when installing a Ground Fault Protective device

C

B

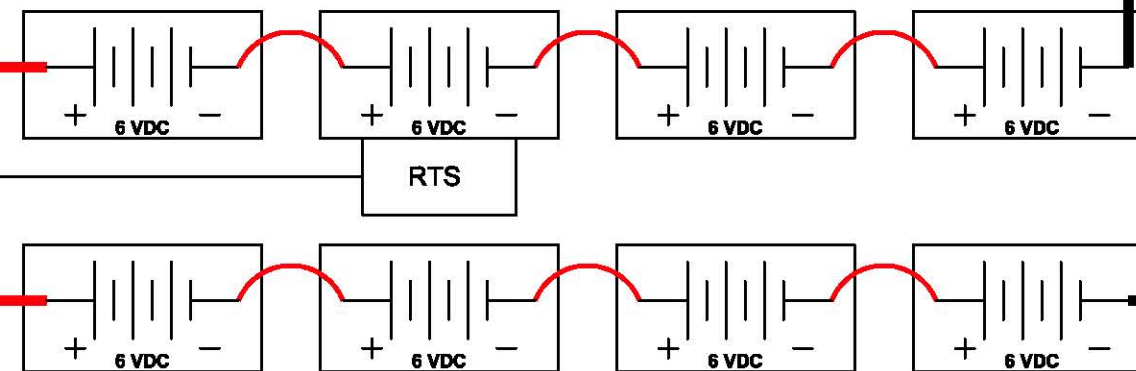
A



DC BREAKERS

FLEXWARE  
DC BUS BAR

**CABLING RECOMMENDATIONS**  
125 AMP - 2 AWG MIN  
175 AMP - 2/0 MIN  
250 AMP - 4/0 MIN



24 VDC Series / Parallel  
battery configuration shown as  
a reference only. Other voltage  
levels and/or configurations  
may be used depending on the  
application.

GROUND TBB  
6 AWG MIN.  
FOR GROUND  
WIRES

	NAME	DATE	Outback Power Systems, Inc
DRAWN	BM	10/31/06	19009 62nd Ave. NE Arlington, WA 98223 www.outbackpower.com
CHECKED	CF	10/31/06	TITLE:
ENG APPR.	GT	10/31/06	<b>FW500-DC</b>
MFG APPR.			<b>Wiring Diagram</b>
Q.A.			
REV. A			
DESCRIPTION OF CHANGE: INITIAL RELEASE, SEE ECO20			SIZE DWG. NO. <b>B</b> <b>905-0014-01-00</b>
			Scale: None SHEET 1 OF 1

8

7

6

5

4

3

2

1

D

C

B

A